

40E Series - Endless Design Curved Glass - Bakery



Model No.	Description	Length	Depth	Height	Voltage	Amps	HP/BTUs	Power Cord	Est. Ship Weight
SC-CBS40E-4C-LED	Self-contained	51.5"	40"	53"	115	12.0	1/4	YES	530
SC-CBS40E-6C-LED	Self-contained	75.5"	40"	53"	115	12.0	1/3	YES	741
SC-CBS40E-8C-LED	Self-contained	99.5"	40"	53"	115	16.0	1/2	YES	897
R-CBS40E-4C-LED	Remote	51.5"	40"	53"	115	0.8	820	NO	497
R-CBS40E-6C-LED	Remote	75.5"	40"	53"	115	1.3	1230	NO	693
R-CBS40E-8C-LED	Remote	99.5"	40"	53"	115	1.6	1640	NO	832

MODEL NUMBER PREFIX - SC = Self-contained R = Remote
 MODEL NUMBER SUFFIX - W = White B = Black S = Stainless Steel LED = LED lighting
 • Cases are designed to operate at 75 degrees Fahrenheit and 55% relative humidity
 • Cases are equipped with drains; check your local building codes for connection requirements.
 • Specification subject to change without notice
 IF COLORS ARE MIXED AN ADDITIONAL CHARGE WILL APPLY



40E Series - Endless Design Curved Glass - Bakery

Standard Specifications and Optional Features

CONSTRUCTION

- UL Classified to ANSI/NSF 7
- Foamed in place CFC free foam
- Heavy gauge steel super structure
- Single duty display
- Endless design allows for continuous line up
- Drain is included for cleaning
- Extra wide double bend curved glass (enhances product display)

INTERIOR

- White, black or stainless steel interior ends
- 2 rows of glass shelving
- Epoxy coated main deck shelves
- Air insulated baffle (prevents moisture from dripping into display area)

EXTERIOR

- Double pane rear removable doors
- Rear door uses the McGlide door system** (for easy access)
- Removable front grille allows for cleaning
- Removable rear grille for easy servicing
- 1 - 1/2" removable end panels
- 2" Gray front bumper

FINISHES

- Grey finish extrusion on doors and door tracks
- White, black, and stainless steel front and ends
- Stainless steel mirror trim
- Stainless steel heavy gauge top - 13-3/4" W
- Rear of unit is stainless steel brush finish at top
- Bottom rear is white, black or stainless steel aluminum

LIGHTING

- 1 row of LED lighting at top of unit

ELECTRICAL REQUIREMENTS

- 115V with powercord
- Remote models must be hard wired
- UL/CUL listed
- 115V-5AMP general purpose receptacle (wired separately) - Remote models only

REFRIGERATION

- Copevapsystem (eliminates need for condensate pan)
- Self-contained - R513A expansion valve system
- Remote - R448A expansion valve system
- Gravity coil located at inside top of unit
- Self-contained unit
- Automatic defrost electronically controlled (Self-contained units only)
- Electronically control maintains constant temperatures
- Remotes available

OPTIONS

- Scale stand
- Paper cutter
- Stainless steel, laminate, or paint
- Mirrored doors
- Stainless steel mezzanine shelf
- Lights for mezzanine shelf
- Drop work shelf
- Front bumper - optional color and marketing location
- Solid shelves
- Door locks
- Digital thermometer
- Special color front bumper: 2"

**** McGlide door system is built with an extra tight door jamb, which helps seal the door tight when closed and prevents cold air from leaving the unit saving energy costs.**

Important Note:

All refrigerated cases are designed to operate in an environment of 75 degrees and 55% relative humidity. Product must be cooled before being displayed within the case.

DRAIN IS REQUIRED

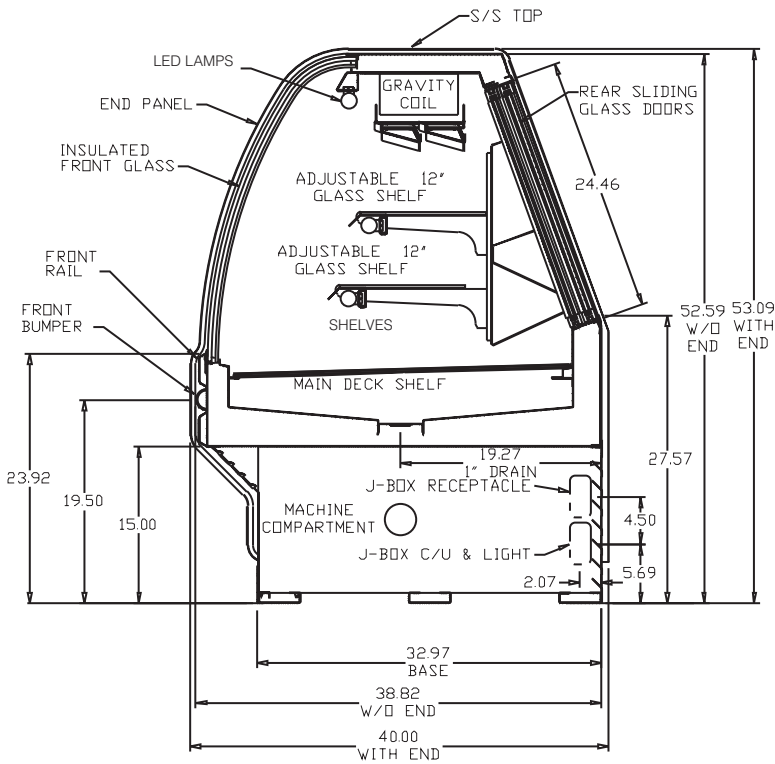
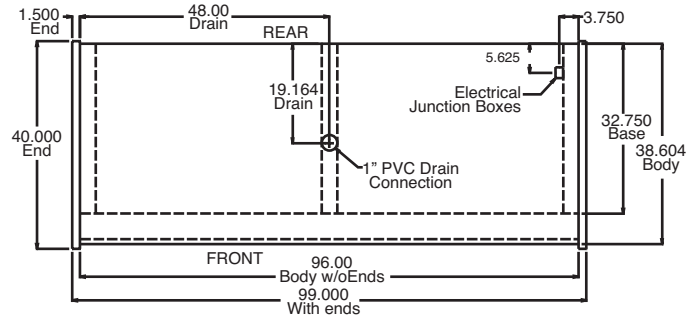
40E Series - Endless Design Curved Glass - Bakery

Technical Data

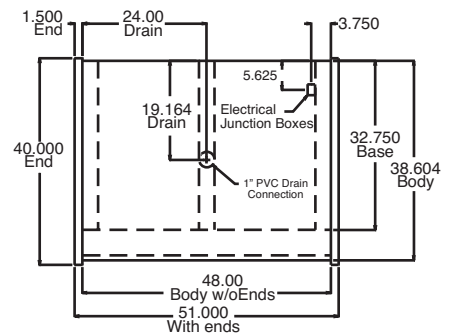
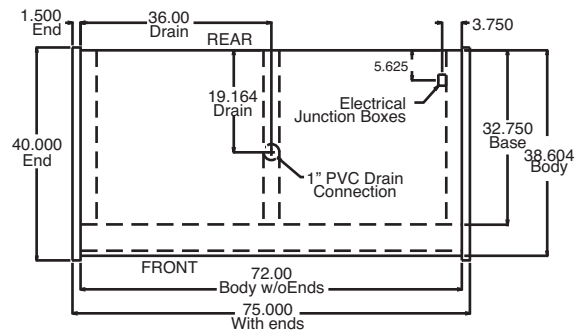
Model No.	SC R	SC-CBS40E-4C-LED R-CBS40E-4C-LED	SC-CBS40E-6C-LED R-CBS40E-6C-LED	SC-CBS40E-8C-LED R-CBS40E-8C-LED
Length with (2) ends		51.5"	75.5"	99.5"
Length without ends		48"	72"	96"
Height with ends		53"	53"	53"
Height without ends		52.5"	52.5"	52.5"
Depth with ends		40"	40"	40"
Depth without ends		38.875"	38.875"	38.875"
Endless design		YES	YES	YES
(Dimensions are +/- 1/4")				
Operating temperature		38°F to 41°F	38°F to 41°F	38°F to 41°F
Refrigerant (exp. valve)	SC	R513A	R513A	R513A
Refrigerant (exp. valve)	R	R448A	R448A	R448A
Compressor size HP	SC	1/4	1/3	1/2
Defrost per day (24 hours)	Air Defrost	1 per day	1 per day	1 per day
BTU's at +20°F Evap. Temp.	R	820	1230	1640
Voltage	SC	115	115	115
Amperage	SC	12.0	12.0	16.0
Remote Voltage	R	115	115	115
Amperage, lights only	R	.8	1.3	1.6
Cord and plug	SC	YES	YES	YES
	R	NO	NO	NO
Exterior color		W, B, S	W, B, S	W, B, S
Interior color		W, B, S	W, B, S	W, B, S
Inside end panels		W, B, S	W, B, S	W, B, S
Floors		W, B, S	W, B, S	W, B, S
# of top doors		2	2	4
Door size		20.8" x 23.5"	31.3" x 23.5"	20.8" x 23.5"
# of coils		1	1	1
Bottom storage		No	No	No
Front glass		Curved	Curved	Curved
Mezzanine shelf (glass)		(2 rows) 47.00" x 12.00"	(2 rows) 71.00" x 12.00"	(2 sets, 2 rows) 47.00" x 12.00"
Main deck size		23.5" x 32.625"	23.5" x 32.625"	23.5" x 32.625"
Cubic capacity		24.5	36.8	49
Shipping Info				
Height		63"	63"	63"
Depth		47"	47"	47"
Length		61"	87"	109"
Gross weight SC/R		530/497	741/693	897/832
Cubic feet		89	128	164

40E Series - Endless Design Curved Glass - Bakery

Technical Data • Side View • Plan View



Cross Section



Plan Views